

CAPABILITIES

ABOUT POLLRICH

POLLRICH IS A LEADING MANUFACTURER OF HEAVY-DUTY INDUSTRIAL FANS, BASED IN GERMANY.

All over the world customers trust in fans made by POLLRICH. And they know why: in really tough conditions our fans feel like home. POLLRICH fans are tailor-made to the latest and highest standards, according to the customer's needs. They combine a robust design, highest efficiency, a long service-life and low maintenance requirements. Based on our long-lasting experience, we develop individual solutions and meet deadlines punctually.

Reliability and first-class performance are understood. With a high quality of advice, in partnership with our customers, a competent 24/7-service and the latest technical documentations, we offer an additional benefit above and beyond the mere fan production.

OUR MAIN FOCUS

- Cement industry
- Petrochemical industry
- Nonwoven processing
- Paper industry
- Food and beverages
- Wood processing
- Power plants
- Steel-and-iron industry
- Waste incineration
- Dryer technic

EXPERT KNOWLEDGE

Technical know-how in production of

- Pressure resistant fans
- Stainless steel fans
- Ex-proof fans acc. ATEX and EEx
- Wear protected fans
- Coated fans
- Fans according API

Technical know-how with discharging of

- Flue gas / exhaust air
- Corrosive /abrasive media
- Toxic / explosive gases



OUR FANS

HEAVY DUTY INDUSTRIAL STANDARDS

- Double inlet fans
- Fans with suction box
- Direct, coupling and belt driven
- With steel base frame or for mounting on concrete foundations
- Any casing position possible

QUALITY STANDARDS

Certified quality standards

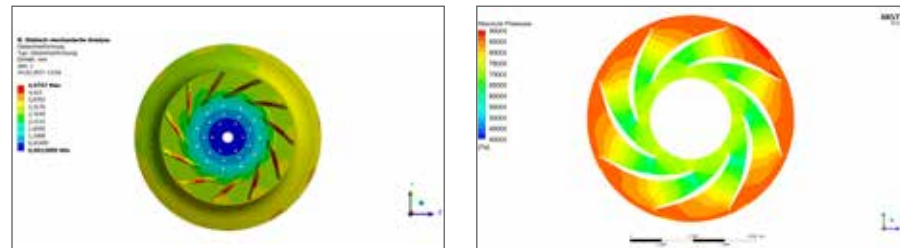
- Quality-management in accordance with DIN EN ISO 9001
- Operating license according to AD 2000 HP 0
- Welding certification in accordance with DIN EN 1090

Extensive documentation

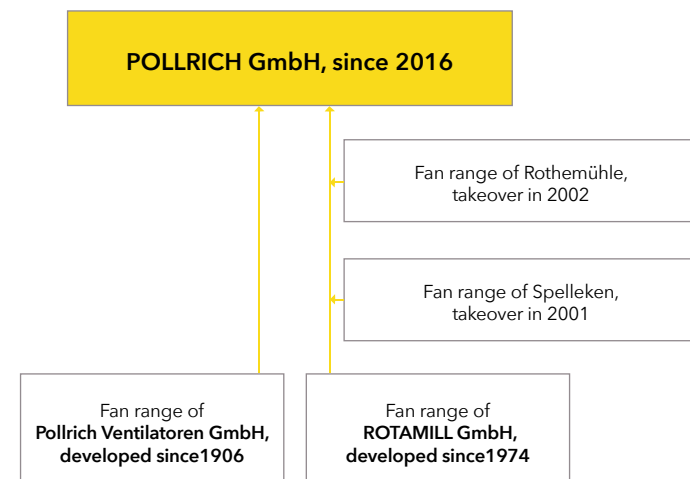
- Declaration of incorporation acc. to machinery directive 2006
- Operation and maintenance manual
- Factory certificates for materials
- Shaft alignment report
- Surface treatment report
- Welder's certificate

IN-HOUSE R&D

- Structural-mechanical calculations by FEA
- Flow visualization by CFD



HISTORICAL SOURCES OF FAN LINES

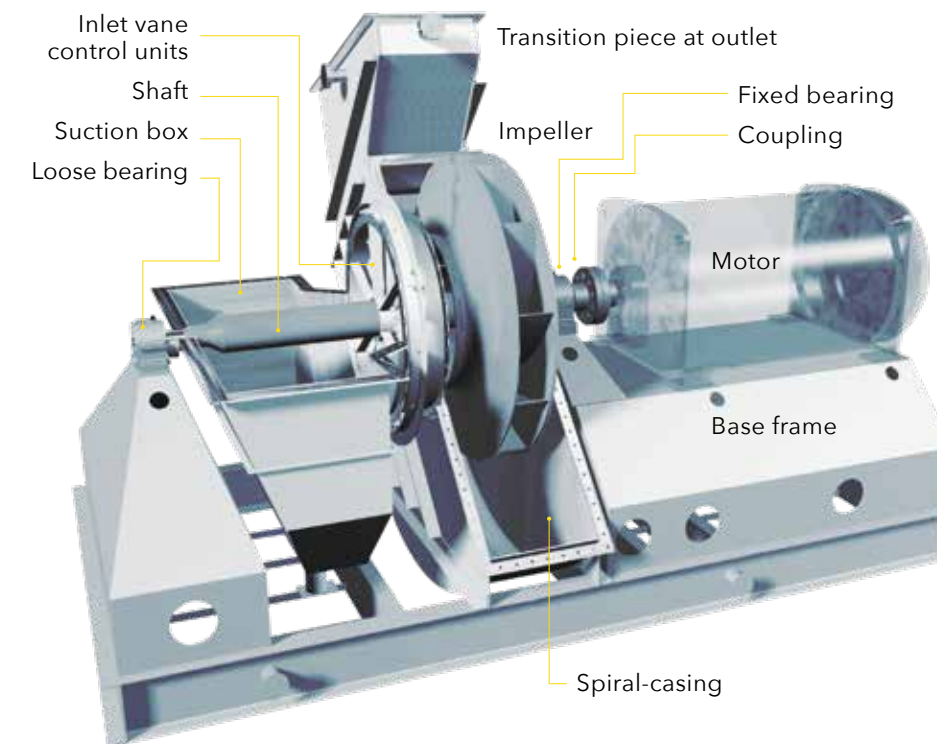


FAN DETAILS

TECHNICAL DATA

Volume Flow:	from 350 m ³ /h to 1.900.000 m ³ /h (single inlet design) to > 3.800.000 m ³ /h (double inlet design)
Pressure-rise:	up to 330 mbar (single stage) exceeding 560 mbar (double stage)
Impeller diameter:	from 250 mm to 4.000 mm
Tip-speed:	up to 280 m/s
Temperatures:	from -52 °C to > 850 °C
Shaft power:	from < 1 kW up to > 6.000 kW

PARTS OF AN INDUSTRIAL FAN



INLET VANE CONTROL

- Mechanical control of the air flow
- Can be combined with a frequency inverter



SOLUTIONS FOR COMPLETE PROCESS AIR SYSTEMS

- Compact cooler as system solution (mixing chamber, filtration, cooling and transportation, combined in a single unit)
- Special application: suction dredger (3-step blower in a single housing)

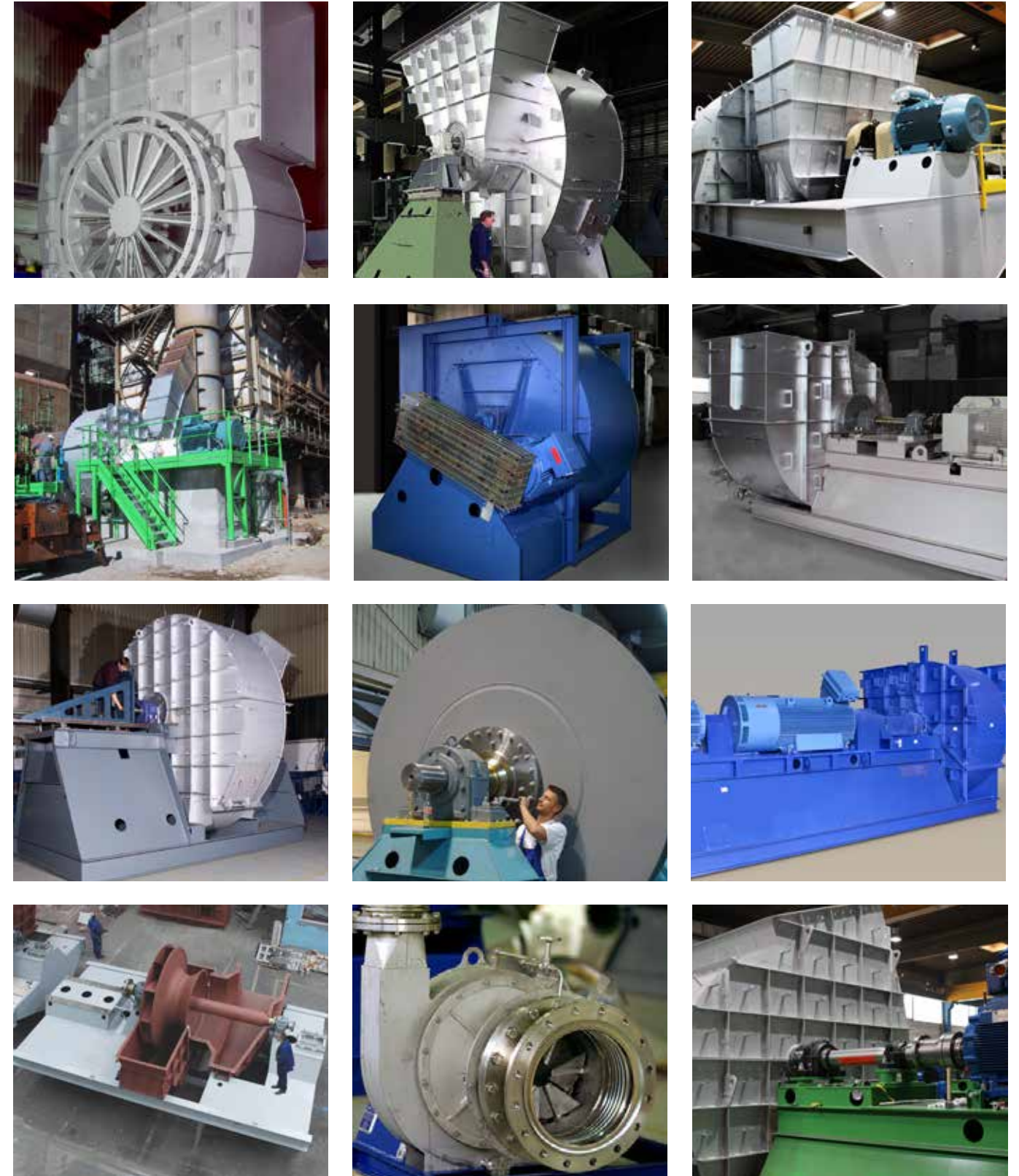
OUR FAN SERVICE

From commissioning to continuous maintenance and repairs

- Preventive maintenance of all process fans
- Analysis of bearing frequencies and report for expected life-time
- Dynamic balancing on-site with state-of-the-art mobile equipment
- Laser alignment of couplings / gears and pulleys
- Revisions / modifications / repairs / upgrades
- Check of impeller for material fatigue
- Re-vamping of existing plants incl. spare-parts
- Site measuring of impeller / shaft for replacement
- Special component advise at site for all questions around the fan
- 24/7/365-service worldwide

We offer all services for own and third-party products.

OVERVIEW



REFERENCES

AAF ■ ABB ■ ABS ■ AFC ■ Ahlstrom ■ Airbus ■ Airtec ■ ALSTOM ■ Amec Foster Wheeler ■ Amcor
■ Andritz ■ Arcelor Mittal ■ ASK Chemicals ■ ASLAN ■ AVA Velsen ■ AVG ■ Badger Mobil Oil ■ Babock
Noell ■ Balcke-Dürr ■ BASF ■ Bao ■ Bayer ■ Bilfinger ■ Blohm u. Voss ■ BMW ■ Boortmalt ■ Borsig ■
BPV ■ Bühler ■ Buckau-Walther ■ Bunge ■ Buskau ■ Büttner ■ BWG ■ Caverion ■ CEMEX ■ CEMAG
■ Cerestar ■ Clariant ■ Calziner ■ Classen ■ Claudius Peters ■ Clyde Bergemann ■ CODELCO ■ Colt
International ■ ContiTec ■ CPPE ■ CRI Catalyst ■ Currenta ■ DEKA ■ DFA ■ Didier ■ Dieffenbacher ■
Dometic ■ DOW ■ Deutsche Babock ■ Dyckerhoff ■ Dynamit Nobel ■ EEW ■ Eickhoff ■ Eisenmann ■
EKO Stahl ■ EnBW ■ Enertec ■ E.ON ■ ESB ■ ESSO ■ ETI BAKHIR ■ EVS ■ EVT ■ Exxon Mobile ■ EZG
Fläkt ■ Ferd. Lentjes ■ Ferrostaal ■ Fluor ■ FZ Jülich ■ Fraunhofer Institut ■ FS-Karton ■ GEA ■ GETEC ■
GEW Köln ■ Gontermann Peipers ■ Großkraftwerk Franken ■ Hartung, Kuhn&Co. ■ HDZ ■ Helios ■ Hoechst
■ Hörmann ■ Hugo Petersen ■ HZI ■ INEOS ■ InfraServ ■ ITC ■ Johnson Matthey Chem. ■ Kali&Salz ■
KANZAN ■ KARDEMIR ■ KDH-Weday ■ Kinetics ■ Klöpper ■ Klöckner ■ Kronoplus ■ Kronospan ■ KRC
LAB ■ Lafarge Zement ■ LANXESS ■ LBB ■ Leunawerke ■ LÖESCHE ■ Lühr ■ Mannesmann ■ MARTIN ■
Mehldau&Steinfath ■ Mercedes Benz ■ Merck ■ MHPSE ■ MWB Power ■ MWN Nieferrn ■ Nestlé ■ Noell
■ Novelis ■ Niro Atomizer ■ Osram ■ OSCHATZ ■ Outotec ■ Papierfabrik A. Köhler ■ Papierfabrik Palm
■ Papierwerke Lenk ■ Papierwerke Waldhof ■ Paul Wurth ■ Pfeiffer ■ Polysius ■ Praxiar ■ PRIMETALS ■
PROBAT ■ Procter&Gamble ■ PWA ■ Rekuperator ■ Rhein. Braunkohlewerke ■ Reitze ■ Rheinkalk ■ RIEDEL
Riley-Power ■ Robert Bosch ■ Rütgerswerke ■ RWE ■ Saint Gobain ■ Salzgitter ■ SANOFI ■ Sasol ■ Schott
■ SGL Carbon ■ SHELL ■ Siemens ■ Siempelkamp ■ SMS Group ■ Solvay ■ Standardkessel ■ STEAG ■
Steinmüller ■ Süd-Chemie ■ Sulzer ■ Tata ■ ThyssenKrupp ■ TREMA ■ Uhde ■ Vallourec ■ Valmet ■
Vattenfall ■ Voith ■ VonRoll ■ VW ■ Walther&Cie ■ WESTAG&GETALI ■ Windmöller ■ YARA ■ Zadcon
■ 3M ■ ...many more



POLLRICH GmbH
Eisenhuettenstrasse 26
57074 Siegen, Germany

Phone: +49 271 66123-0
Fax: +49 271 61866
info@pollrich.com
www.pollrich.com