

The logo features the word "POLLRICH" in a bold, sans-serif font. To its right is a stylized circular emblem composed of two curved, overlapping bands, one yellow and one grey, suggesting motion or a fan blade.

POLLRICH

MOVING AIR.
SAVING ENERGY.

A close-up, low-angle shot looking into the interior of a large industrial fan. The fan's blades are visible, and the structure is made of dark metal. The lighting is dramatic, with bright highlights and deep shadows, creating a sense of scale and industrial power.

**HEAVY DUTY
INDUSTRIAL FANS**

YOU NEED

PRODUCTIVITY AND EFFICIENCY

WITH SOLUTIONS MADE BY POLLRICH.

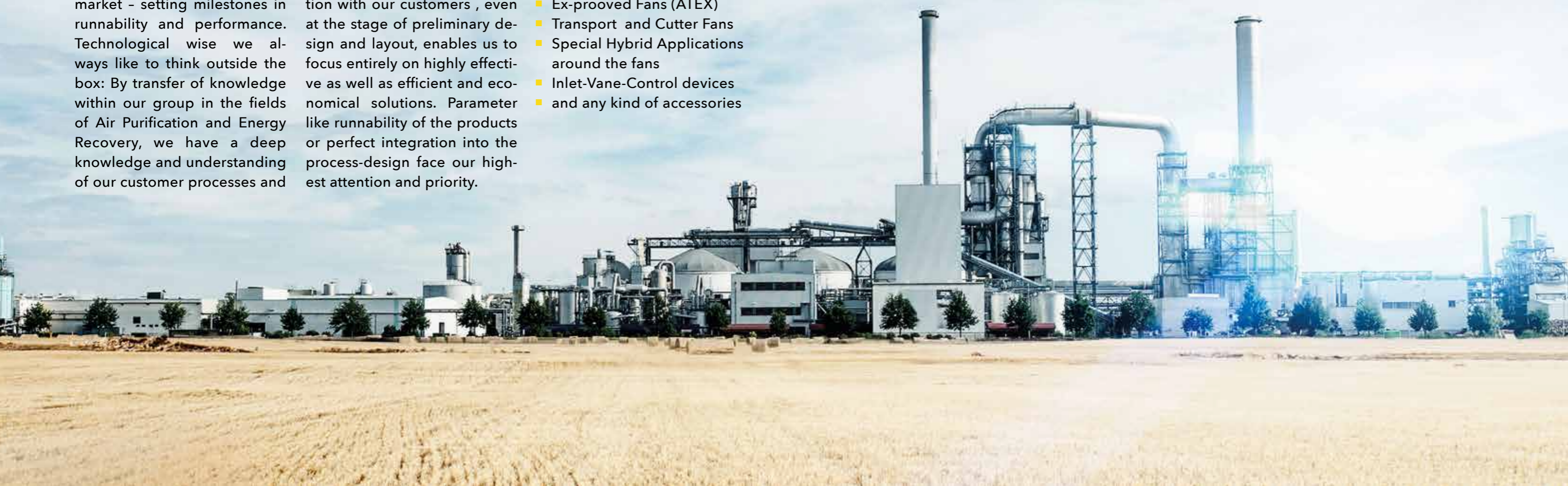
For more than 100 years we are a reliable partner of any kind of machinery and engineering company. A certain power of innovation and the target to find new solutions have made our Centrifugal Fans the leading ones in the market - setting milestones in runnability and performance. Technological wise we always like to think outside the box: By transfer of knowledge within our group in the fields of Air Purification and Energy Recovery, we have a deep knowledge and understanding of our customer processes and

can offer an extraordinary competence for the entire engineering process.

The combining element of our Heavy Duty Centrifugal Process Fans is the optimum in relation of efficiency and energy-consumption. The deep cooperation with our customers, even at the stage of preliminary design and layout, enables us to focus entirely on highly effective as well as efficient and economical solutions. Parameter like runnability of the products or perfect integration into the process-design face our highest attention and priority.

POLLRICH offers Heavy Duty Centrifugal Fans within the following main product lines:

- Standard Fans
- High-Pressure Fans
- Heavy-Duty Process Fans
- Plug-In Fans
- Ex-prooved Fans (ATEX)
- Transport and Cutter Fans
- Special Hybrid Applications around the fans
- Inlet-Vane-Control devices
- and any kind of accessories



MADE FOR THE ROUGH CONDITION.



All over the world customers trust in fans made by POLLRICH. And they know why: In really tough condition our fans feel like home. Process conditions with corrosive, toxic or heavy wearing air, exhaust gases, extreme temperatures or even in hazardous atmospheres (ATEX-Zones) create the environment for our centrifugal fans to demonstrate their skills. Long-Lifetimes, runnability, reliability and an excellent over all performance combined with optimized efficiency at lowest power consumption are the key factors of POLLRICH fans.

Conveying, dedusting, exhausting, cleaning or drying - as different as the industrial demands, as various are the industrial segments.

Centrifugal Fans made by POLLRICH are used for:

- Cement Industry
- Chemical / Petrochemical
- Waste Incineration
- Paper Industry
- Power Stations
- Steel and Iron-and Alloy Industry
- Food Industry
- Wood Industry



- DEDUSTING
- EXTRACTING
- PROCESS-AIR AND COOLING
- DRYING
- AIR- AND HOTGAS-CIRCULATION
- PNEUMATICAL TRANSPORT
- BLAST-FURNACE-AIR
- EXTRACT- AND EXHAUST CLEANING
- GAS CONVEYING

OUR INDUSTRIAL-FANS.

ECONOMICAL AND RELIABLE.

For our customer and for their individual Industry, we realize highly efficient and innovative Industrial Fans to the latest and highest standards. Based on our huge experience and expert knowledge and using our entire competence, all our fans are selected and designed precisely to match the different demands of our clients. The following areas are expressly included:

- Waste Gas/Fume Gas
- Corrosive/abrasive media
- Toxic/explosive gas mixtures

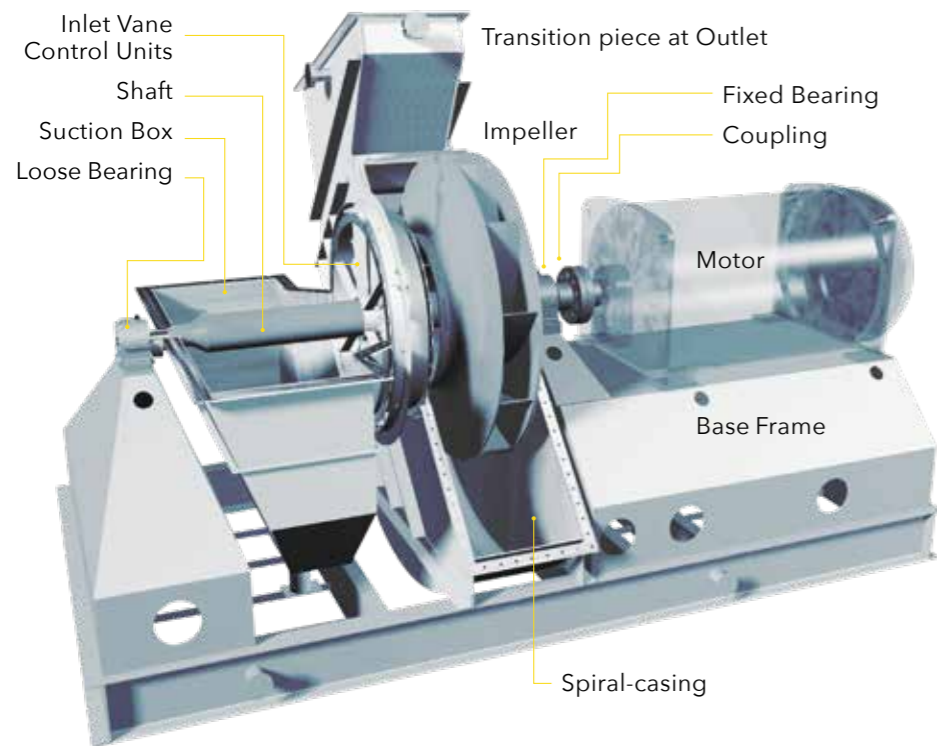
We develop individual solutions, driven by our continuous "Joy of Innovation", and with the target to best support our clients in their efforts towards sustainability. Doing this, we are always focused on safe process conditions. On the way to individual solutions, even smallest details are important. Working together with our valuable customers, we value a target-focused discussion, combined with a cooperative communication style at a high level of competence.

Doing this, the benefits for our customers are:

- Individual solutions
- Tailormade products
- Fans with highest possible efficiency
- Heavy-duty industrial standards
- Manufactured Made-in-Germany
- 365/24 worldwide service
- More than 100 years of experience



BUILT TO FULLFILL YOUR DEMANDS.



TECHNICAL DATA:

Volume flow:	from 350 m ³ /h to 1.900.000 m ³ /h (single inlet design) to > 3.800.000 m ³ /h (double inlet design)
Pressure-rise:	up to 330 mbar (single stage) exceeding 560 mbar (double stage)
Impeller Diameter:	from 250 mm to 4.000 mm
Dip-Speed:	up to 280 m/s
Temperatures:	from -52 °C to > 850 °C
Shaft Power:	from < 1 kW up to > 6.000 kW



STANDARD DEMANDS

This Fan Line suits the biggest part of standard process applications. Main focus is the supply of Air or Gas mixtures with low level of contamination, which show no or only minor aggressive, toxic, condensing or explosive contents and which are free from wearing or abrasive dust and do not extend continuous operation temperatures of more than 260 °C.

INDIVIDUAL DEMANDS

This Fan Line is used for the supply of Air or gas mixtures with a certain higher amount of pollution and is suitable for continuous operation temperatures of up to 450 °C. These Fans are modified from the Standard Fan Line to suit the individual demands of special process parameters and use technologies to withstand hot, aggressive, toxic, condensing, explosive, dusty or solid gas-mixtures.

SPECIAL DEMANDS

Here we find the Fans for the extreme and extraordinary process condition. Those fans match special and dedicated specifications and customer- or governmental regulations and norms, or they are used at very special site conditions. In addition, these Fan Line is selected, calculated and designed in cases with very high temperatures, high levels of contamination, at extreme wear or cacking condition and dedicated demands to suit applications e.g. in earth-quake territories, on marine vessels, offshore-platforms and others.

OUR EXPERT KNOWLEDGE FOR ANY KIND OF APPLICATION.



WEAR PROTECTED FANS

Industrial fans have to withstand and work safely under the rough working conditions at high dust-loads or wearing media and at the same time offer a high level of efficiency and runnability. Cacking on and wearing off of fan components are continuous problems. To overcome these challenges and to find proven solutions requires an enormous quantity of experience, excellence and technological knowledge.

TRANSPORT- AND CUTTER-FANS

This kind of fans is used mainly in the Wood-, Paper- and Packaging Industry or during the production of Plywood- and MDF- or Panelboards. Typical applications may be Edge-trim devices or for the conveying of fibres or wood chips. Robust impeller design, special transport geometrics, high-end edge-knife solution and resistance against vibration and misbalancing are the key challenges to meet.

EXPLOSION PROOF FANS

Especially in hazardous areas, where flammable gases and dusts need to be conveyed, special measures have to be considered to keep and guarantee a high level of safety for staff and environment. We design all our ex-proof certified fans according to the latest ATEX-regulation and according to EN 14986:2017, Category II G or D (G only for explosion group II A, II B and Hydrogen) and III G or D.

HIGH-PRESSURE FANS

High pressure fans are the ideal solution for any application where high plant resistances have to be covered by high pressure systems, e.g. at chemical process applications or waste incineration or converter gas supply at steelmaking plants. Those high pressures are supplied by very high impeller rotation with referring high dip-speeds. The use of state of the art Frequency Converter-operated drive units help to increase speeds and pressures at optimized impeller sizes.

PLUG-IN FANS

Taylor-made so called "plug-in fans" guarantee constant operation parameter, safe processes and a maximum in plant efficiency under continuous operation temperatures of 450°C and more, e.g. at dryer application, yankee-hoods at paper machines or drying of plywood and MDF panelboards. The design is executed individually according to the customer's requirements to ensure a perfect and easy installation and fit to the dryer device itself.

EXPLOSION RESISTANT FANS

Permanent high system pressures over 0,5 bar require a pressure-resistant construction according to Pressure Equipment Directive (DRGL) in combination with the AD2000-instructions. However, pressure shock resistant fans could be constructed according to, e.g., VDI 2263. Manufacturing and calculations are carried out according to AD2000-instructions, too.

- All fans are available according to ATEX-regulations.

WE ARE HERE FOR YOU EVERYWHERE AND EVERYTIME.

Based on our long lasting experience, our excellent expert knowledge and huge competence, we are standing close at our customer's side. As an well acknowledged and proven Partner for Efficiency and Innovation we always feel at home whenever powerful and reliable solutions are required. Therefore, we offer a much higher value than only to secure the runnability of a plant. Any kind of consultancy or during any service, we are focused to meet highest possible standards. Perfect technical documentation is a must, too. To ensure all this on the

highest level, we communicate with our Clients on a face-to-face basis, in partnership, competent and always in search for excellence. Based in our two locations in Siegen and Moenchengladbach, we are happy to serve our clients and their installations all over the world. Our skilled and experienced Service-Team is on duty worldwide - always there, where they are needed, even at the most hidden places and in roughest conditions. Their experience and operational readiness help to reduce stand-still to a minimum and improves the overall plant performance significantly.

Our service offers, in addition to a pre-inspection, assembling control, Start-up supervision and much more:

- Bearing Analysis
- Mobile dynamical balancing
- Laser Alignment
- Revamping
- Spare-part Service
- Extensive Machine diagnosis
- Worldwide 365/24 service



YOUR ADDED VALUE.



PLANT RELIABILITY

Highest plant reliability and a safe and uninterrupted operation are the most important parameters of heavy duty industrial fans. We know this and select and design our products and the installed fan equipment to match perfectly the individual demands, targets and environmental condition. Beside, we offer a verified improvement of efficiency and runnability.

Sensible issues regarding the production process, like the reliability, are considered even during the selection and design phase. To secure the required continuous and uninterrupted process, we provide specified service- and operation manuals.



QUALITY OF ADVICE

We care about our customer's interests with great passion and a lot of commitment - not only before and during, but also after installation. Should there be any questions concerning the increase of efficiency, we advice and support even during the project planning and bidding phase. Our consulting services, focussing strongly on productivity, are mainly based on our customers' actual needs. We design our service packages individually to provide our customers the maximum added value possible.



SERVICE QUALITY

Reliability and the operation of modern production environments are two of the most vital factors regarding the economical success. To ensure the performance of complex industrial radial fans, we accompany our customers during the whole product life with pleasure. Sophisticated maintenance schedules signify minimal effort, reduce the non-operation period and guarantee the product's profitability. Synchronized maintenance operations, inspections and an intelligent spare-part-service are determining factors for production. Excellent skilled employees and latest techniques of measurement secure your efficiency.



TECHNICAL DOCUMENTATION

State of the art industrial plants do not only require absolute precision and meticulousness concerning safety, but also in the area of technical documentation, which sort of provides the base of a sustainable plant operation. In this context, we dedicate ourselves to this task. Our technical documentations comprise, individual and according to the customer's requirements, all relevant information regarding our industrial fans. In a comprehensible manner, we keep record of complete information regarding the scope of delivery and all product life-cycle stages.



POLLRICH GmbH
Eisenhuettenstrasse 26
57074 Siegen, Germany

Phone: +49 271 66123-0
Fax: +49 271 61866
info@pollrich.com
www.pollrich.com